



46inch 3.5mm LCD Video Wall

- ✧ The design of ultra-narrow side(only 3.5 mm).
- ✧ Great viewing angle (horizontal 178 °, vertical 178 °) and excellent reliability.
- ✧ It is brightness uniformity, image stability, no flicker, no distortion and complete without curvature big screen.

Product Description of [46inch 3.5mm LCD Video Wall](#)

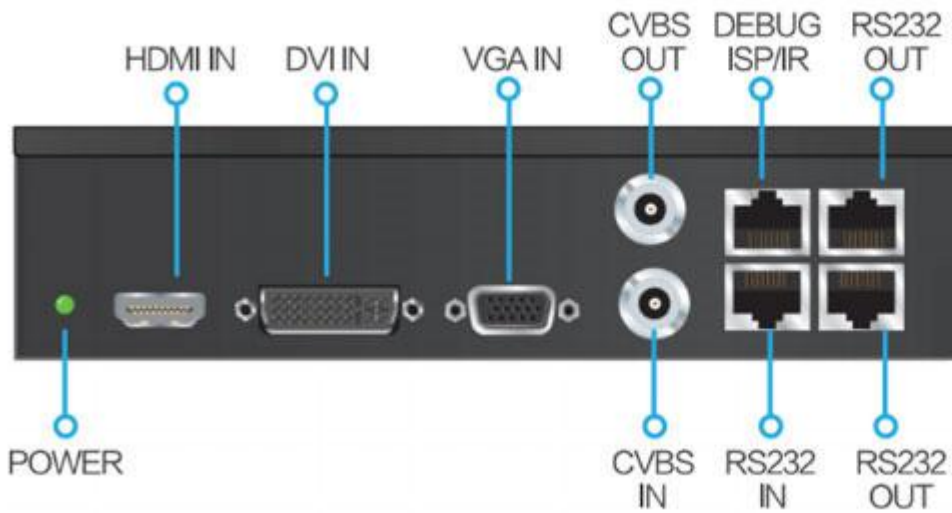
- ✧ Dynamic visual effects that can truly restore color and vivid text images;
- ✧ Up to 80000h of extremely life and extremely low maintenance cost.
- ✧ You decide the number and way of splice units.
- ✧ With the graphics processor and matrix, it can support the 225 screen wall.
- ✧ Saving a large amount of space, good heat dissipation and adapting to various environment long work.
- ✧ Under the strict quality control system of ISO9001, every factory machine reaches the international advanced level, which conforms to the 3C standard.
- ✧ Simple interface & humanized operation.
- ✧ The start time is less than 5 seconds and the startup is fast.
- ✧ The unit is designed to be modular, easy to repair and board to replace.Modular structural expansion is also convenient.
- ✧ Integrated multiple video signal source input interface.

Specification of 3.5mm LCD Video Wall

Manufacturer	ROHA Display
Model No.	RH-4602PD
Panel	Original DID Panel
Resolution	1920*1080
Brightness	500cd/m ²
Color	16.7M,8bit/color
4K Display	Support

Contrast	3000:1
Reeponse Time	8ms
Display Area	100%
Working Life	>8000h
Bezel	3.5mm

Connect Interface



Input Interface	HDMI in×1
	DVI-D in ×1
	RS232x1 = RJ45 x1
	Debug ISP/IR x1
	CVBS in x1



	VGA ×1
Output Interface	AV Out×2
Power & Size	
Power In	110-250V(50/60Hz)
Power Rate	190W
Panel Size	1021.98mmx576.57mm
Display Size	1018.08mmx572.67mm
Weight	15kg
Working Environment	
Temperature	-15°C -85°C
Humidity	10-90%
Height	10000inch
Storage Environment	
Temperature	-15°C -85°C
Humidity	10-90%
Enviroment Specification	
Temperature	Working Temperature: -10°C to 50°C

TEL: +86 755-29075243
Email: ruby@szroha.com



	Storage Temperature: -30°C to 60°C
Humidity	Working Humidity: 20% to 85%
	Storage Humidity: 0-95%
Working Altitude	0~3,000m
Working Life	>7 years
Working Environment	Indoor