



Shenzhen [ROHA](#) Digital Technology Co., Ltd. has developed Omm **seamless LCD video wall** by PSL technology. The technology adopts a special optical structure to realize the visual blanking of the display frame of the flat panel display, visually realizes a flat display without borders, and further uses this non-frame flat panel display to splice to form a large-screen flat panel mosaic display device with zero seams. Video wall is seamless and high-definition. The panel is made up of original Samsung and LG. It would not broken panel's original structure and more reliable and stable; The brightness is up to 700cd and is still clear under the bright light; Support for 7 * 24 hours 365 days without interruption and it is no radiation and does not hurt the eyes. The seamless LCD video wall is not only can be individually used as a monitor, also can be become a large screen by splicing it.

According to the different requirements of using, the [seamless LCD video wall](#) have the function which can be bigger or smaller : Single-screen split display, single-screen single display, any combination display, full-screen **LCD splicing**, dual splicing LCD screen splicing, vertical screen display, image frame optional compensation or cover, support for digital signal roaming, zoom stretching, multi-screen display , Various display plan setting and operation, full HD signal processing in real time. **Seamless LCD video wall** can adapt to the trend of the Internet and big data, display high-definition by text, image, video, and quickly extract the required effective data information, presenting a set of intelligent system linkage intelligent accessories to achieve the greatest value in the field of large-screen applications. This can effectively assist supervisors in their supervisory work and effectively achieve the linkage and overall mechanism for dispatch management.

Seamless LCD video wall is widely used in security, command center, entertainment industry, corporate display, advertising media, exhibition center, factories and mines, power, water conservancy, education, government agencies, the military and other industries.

55inch Seamless LCD Video Wall

The design of ultra-narrow side(only 0 mm).

Great viewing angle (horizontal 178 °, vertical 178 °) and excellent reliability.

It is brightness uniformity, image stability, no flicker, no distortion and complete without curvature big screen.

Product Description of **55inch Seamless LCD Video Wall**

- ✧ Dynamic visual effects that can truly restore color and vivid text images;
- ✧ Up to 80000h of extremely life and extremely low maintenance cost.
- ✧ You decide the number and way of splice units.
- ✧ With the graphics processor and matrix, it can support the 225 screen wall.
- ✧ Saving a large amount of space, good heat dissipation and adapting to various

TEL: +86 755-29075243

Email: ruby@szroha.com

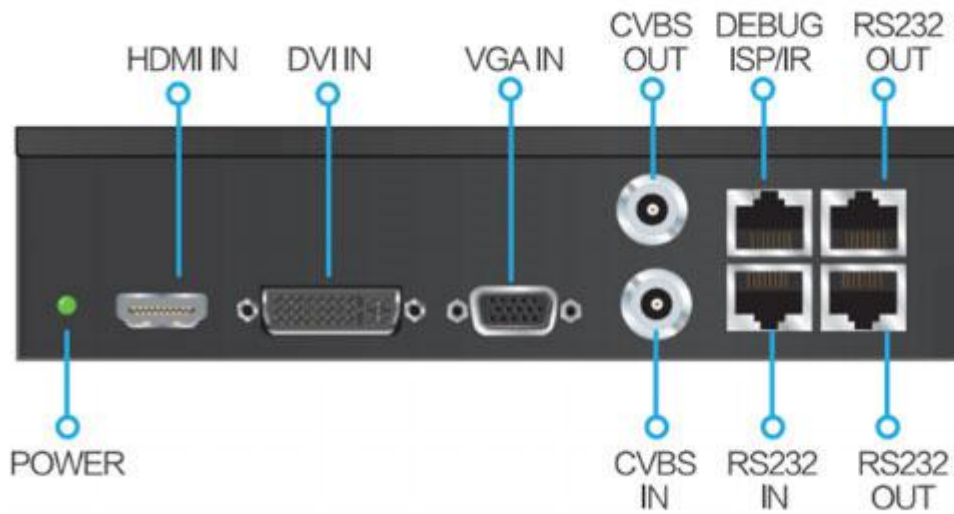


environment long work.

- ✧ Under the strict quality control system of ISO9001, every factory machine reaches the international advanced level, which conforms to the 3C standard.
- ✧ Simple interface & humanized operation.
- ✧ The start time is less than 5 seconds and the startup is fast.
- ✧ The unit is designed to be modular, easy to repair and board to replace. Modular structural expansion is also convenient.
- ✧ Integrated multiple video signal source input interface.

Specification of 0 mm LCD Video Wall

Manufacturer	ROHA Display
Model No.	RH-5501HD
Panel	Original DID Panel
Resolution	1920*1080
Brightness	500cd/m ²
Color	16.7M,8bit/color
4K Display	Support
Contrast	4000:1
Reeponse Time	8ms
Display Area	100%
Working Life	>8000h
Bezel	0mm
Connect Interface	



Input Interface	HDMI in×1
	DVI-D in ×1
	RS232x1 = RJ45 x1
	Debug ISP/IR X1
	CVBS in x1
	VGA ×1
Output Interface	AV Out×2
Power & Size	
Power In	110-250V(50/60Hz)
Power Rate	190W
Panel Size	1219.1mmx680mm
Display Size	1219mmx690mm
Weight	22kg
Working Environment	
Temperature	-15°C -85°C
Humidity	10-90%
Height	10000inch



Storage Environment	
Temperature	-15°C -85°C
Humidity	10-90%
Environment Specification	
Temperature	Working Temperature: -10°C to 50°C
	Storage Temperature: -30°C to 60°C
Humidity	Working Humidity: 20% to 85%
	Storage Humidity: 0-95%
Working Altitude	0~3,000m
Working Life	>7 years
Working Environment	Indoor